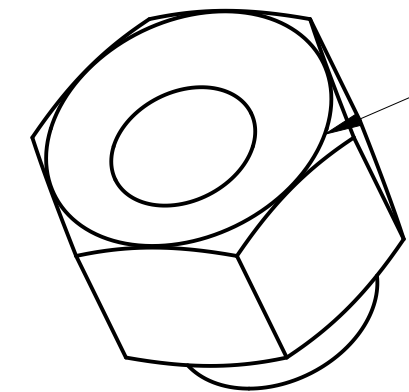
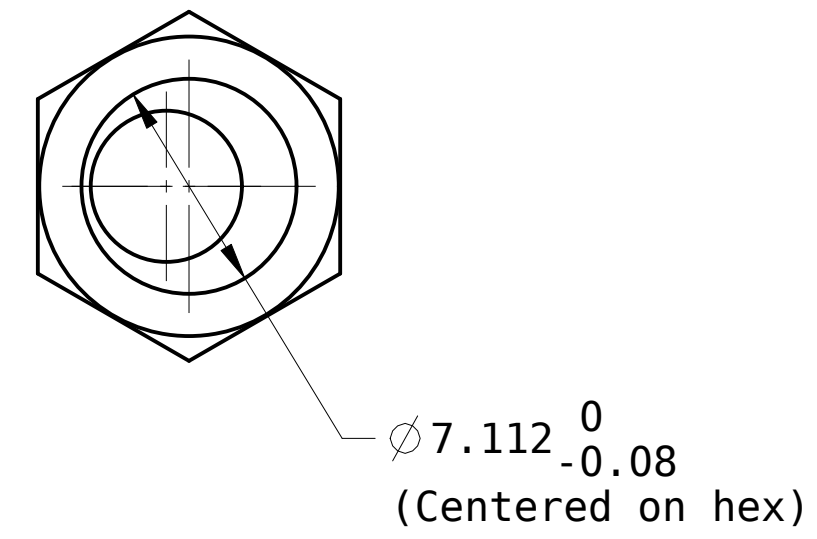
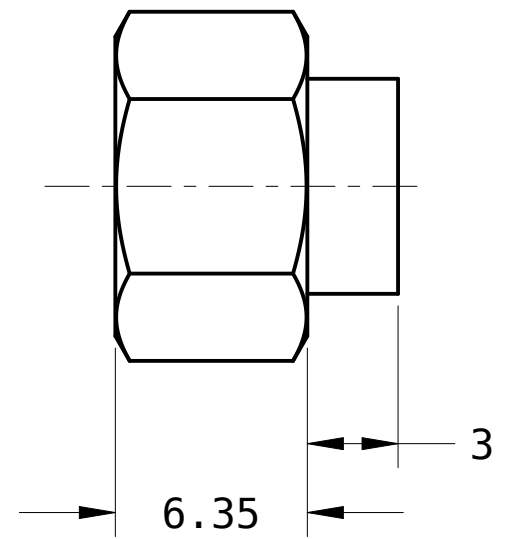
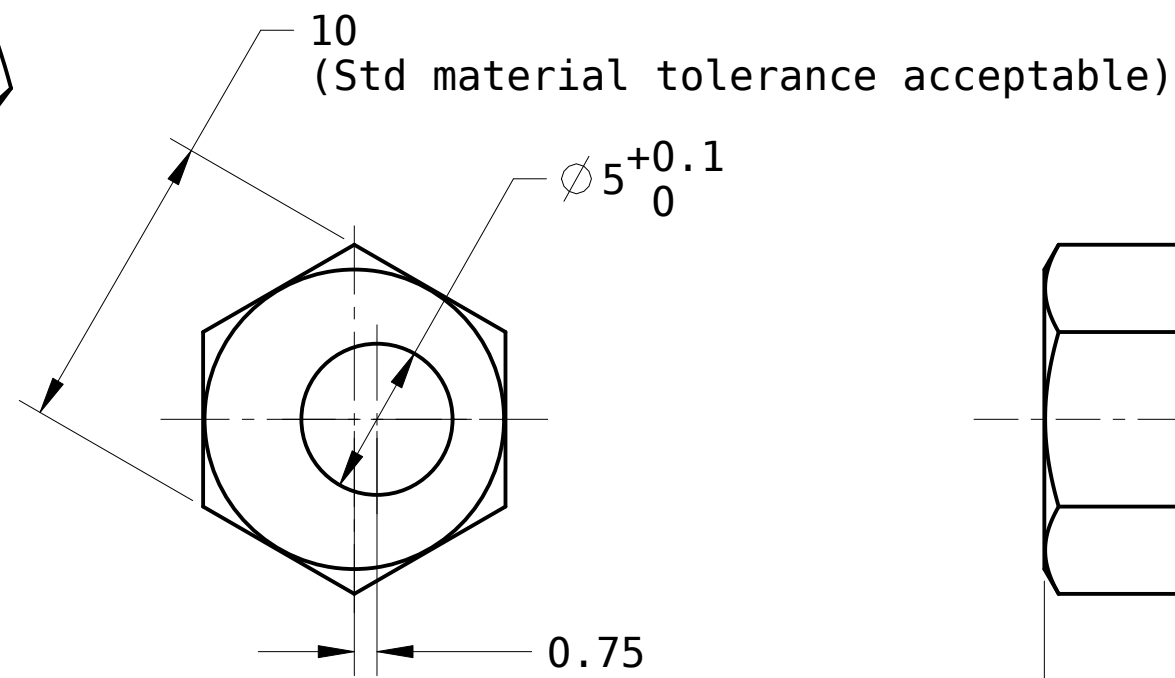
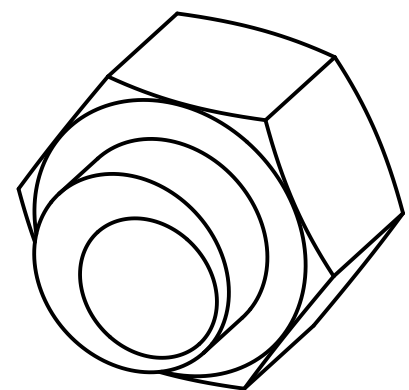


REVISIONS			
SYM	DESCRIPTION	BY	DATE
1	ORIGINAL	BJD	4/16/13



Break edges slightly
(Both sides of hex)

Notes:
1: Material: Stainless Steel
2: Finish: None



The work is licensed under a Creative Commons Attribute-Share Alike 3.0 License

DRAWN	BJD	4/16/13
CHECKER		
MECH. ENGR.		
ELEC. ENGR.		
PROJ. ENGR.		
CHIEF ENGR.		

ECCENTRIC SPACER	
SCALE	

 www.buildlog.net
B18037
SHEET 1 OF 1